

# STELTH

DESIGN BY MARCO POLETTI

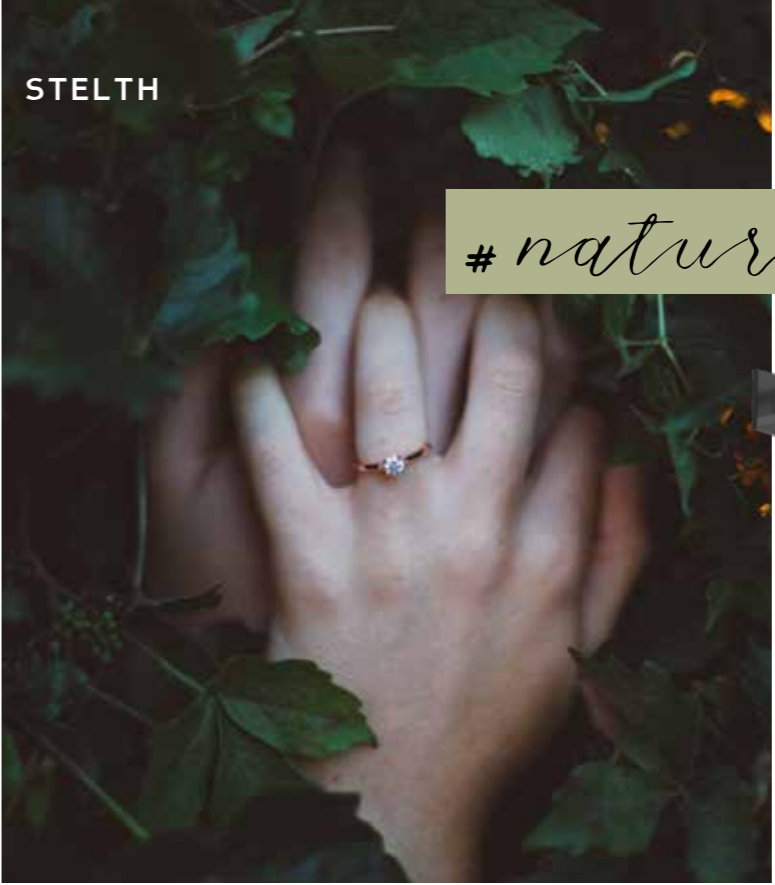


# tropicalchic

1

# Wild ELEGANCE

# naturalbfashion



2



## ELEGANTI CONTAMINAZIONI

*Elegant cross-overs*

Una collezione di rubinetteria e accessori caratterizzata da superfici planari che riflettono la luce. Un taglio a diamante per una serie raffinata, collocata in importanti progetti di prestigio internazionale come l'hotel Ritz Carlton, Jumeirah Beach Dubai e il lussuoso Negarestan Complex a Teheran.

A collection of kitchen and bathroom taps and accessories whose distinct feature are the flat, level surfaces that reflect light. A diamond-cut design for a refined series used for the interior design of the world's leading hotels like the Ritz Carlton, Jumeirah Beach Dubai and the luxurious Negarestan Complex in Teheran.



3

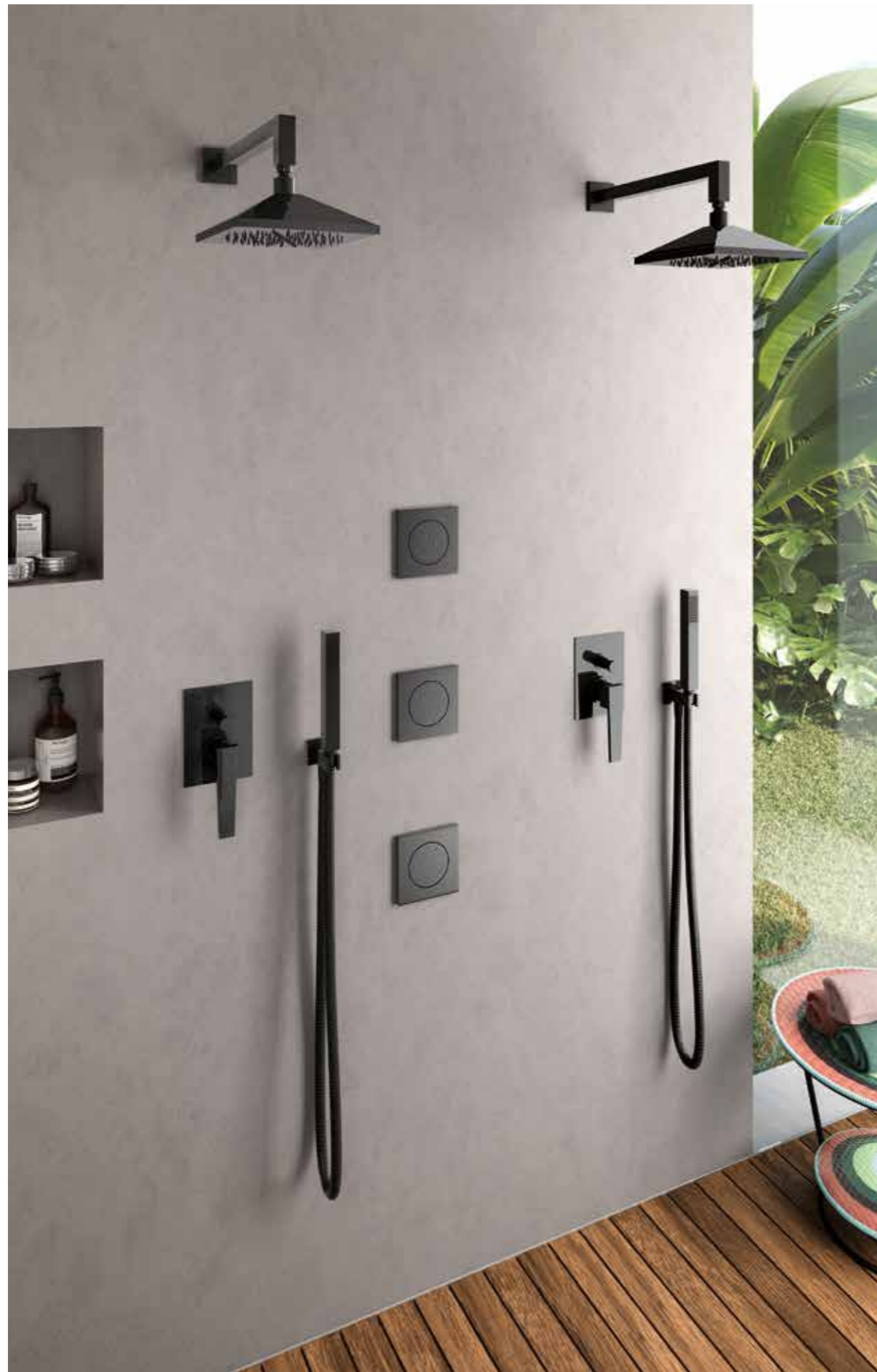


# travelgram



- 1. Art. 01521CN00
- 2. Art. 01524CN00 + Art. 01881CN00
- 3. Art. 01001CN00





#naturalcomfort

**LAVABO / WASHBASIN**  
Art. 01521CN00

**DOCCIA / SHOWER**  
Art. 01519CN03  
Art. 00834CNOEPR  
Art. 00867CNNQ  
Art. 01881CN00

**ACCESSORI / ACCESSORIES**  
Art. 01007CN60  
Art. 43027CNDA  
Art. 01001CN00  
Art. 010070R40





LAVABO / WASHBASIN  
Art. 01538OR16



VASCA / BATHTUB  
Art. 01534CR0D



LAVABO / WASHBASIN  
 Art. 01521CR00  
 Art. 01538CR16

# *refinedseries*

LAVABO / WASHBASIN  
Art. 01521CR00

## INFORMAZIONI TECNICHE

*Technical details*



**CARTUCCIA:** La serie Stelth è dotata di diverse tipologie di cartucce: cartuccia  $\varnothing$  25 mm, cartuccia  $\varnothing$  35 mm senza distributore. La temperatura d'impianto non deve superare i 70°C. La pressione di esercizio dell'impianto consigliata è di 3 bar.

**EROGAZIONE:** La serie Stelth ha un tipo di erogazione morbida. I lavabi e i bidet sono forniti con limitatore di portata da 8l/m, permettendo un notevole risparmio d'acqua.

**SISTEMI DI DEVIAZIONE:** I deviatori Bongio sono testati per funzionare da un minimo di 0,5 bar pressione.

**INSTALLAZIONE:** Tutti gli articoli ad incasso Bongio completi sono forniti di relative parti da incassare. Per i miscelatori lavabo e bidet da installarsi su piano, devono essere realizzati fori di  $\varnothing$  35 mm. massimo.

**CARTRIDGE:** Stelth series uses different kind of cartrdiges:  $\varnothing$  25 mms,  $\varnothing$  35 mms without distributor and 1/4' turn ceramic disc mechanism.

The temperature of the plant must not exceed 70°. The ideal working pressure of the plant is 3 bar.

**SUPPLY:** Stelth series has a soft supply. Basin and bidet mixers have a standard limitatio of flow to 8l/m which reduces the water waste.

**DIVERTING SYSTEMS:** Bongio diverters have been tested to work properly starting from a minimum 0,5 bar pressure

**INSTALLATION:** All the built-in Bongio items are available with universal raw built-in body.

For the basin and bidet mixers - single or three holes - to be place on top deck, they require  $\varnothing$  35 mms maximum holes.

### FINITURE E COLORI / FINISHES AND COLOURS



**CR**  
Cromo  
Chrome



**CN**  
Cromo Nero  
Black Chrome



**OR**  
Oro 24kt  
24kt Gold



**NM**  
Cromo Nero Satinato  
Matt Black Chrome



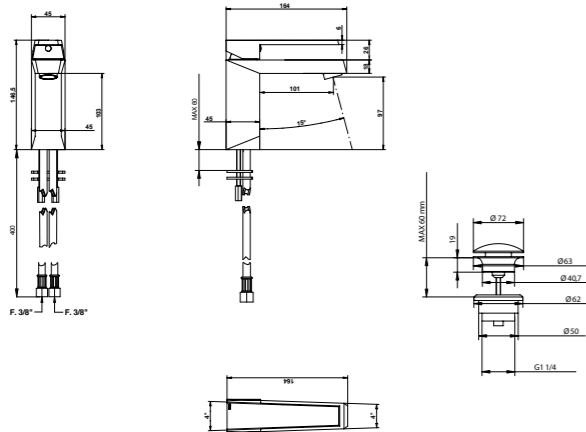
**HM**  
Oro Francese Satinato  
Matt French Gold



**AM**  
Oro Rosa Satinato  
Matt Rose Gold

01521

Miscelatore lavabo con piletta clic-clac. Basin mixer with clic-clac waste.



ARTICOLO COMPLETO / COMPLETE ITEM

01521CR00  
CR01521CN00  
CN/OR/NM/HM/AM

Abbinabile a / To match with:  
Sifone / Siphon - 00067

ACCESSORI / ACCESSORIES

00932CR15

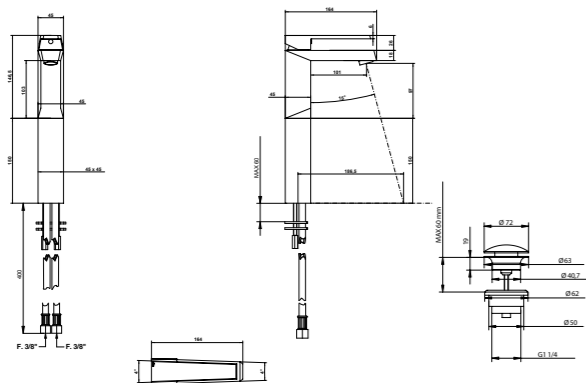
RICAMBI / SPARE PARTS

9818

09998CR

01532

Miscelatore lavabo con prolunga 150 mm con piletta clic-clac. Basin mixer with 150 mms extension with clic-clac waste.



ARTICOLO COMPLETO / COMPLETE ITEM

01532CR00  
CR01532CN00  
CN/OR/NM/HM/AM

Abbinabile a / To match with:  
Sifone / Siphon - 00067

RICAMBI / SPARE PARTS

9818

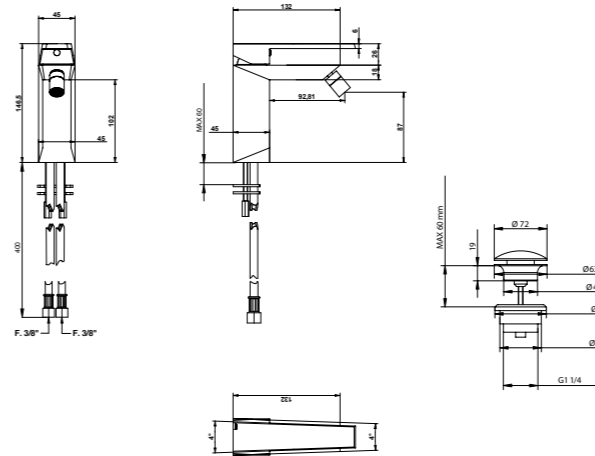
09998CR

FINITURE E COLORI / FINISHES AND COLOURS



01522

Miscelatore bidet con piletta clic-clac. Bidet mixer with clic-clac waste.



ARTICOLO COMPLETO / COMPLETE ITEM

01522CR00  
CR01522CN00  
CN/OR/NM/HM/AM

Abbinabile a / To match with:  
Sifone / Siphon - 00066

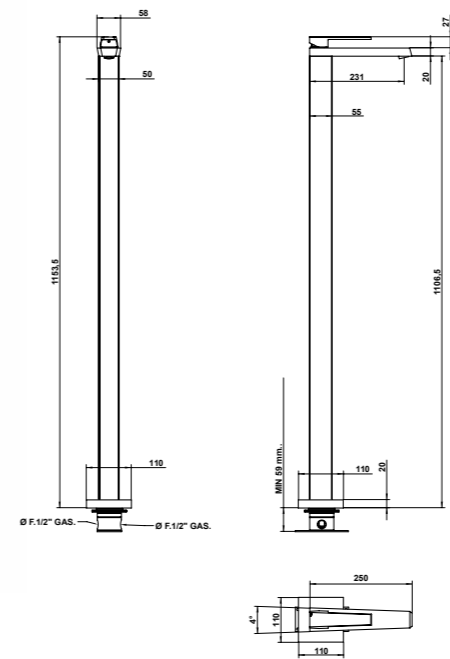
RICAMBI / SPARE PARTS

9818

09977CR

01533

Miscelatore lavabo da terra. Floor mounted basin mixer.



ARTICOLO COMPLETO / COMPLETE ITEM

01533CR00

CR

PARTE INCASSO  
BUILT-IN PARTPARTE ESTERNA DA ABBINARE  
EXTERNAL MATCHING PART

09744

FINITURE / FINISHES

01533CREU  
CR01533CNEU  
CN/OR/NM/HM/  
AM

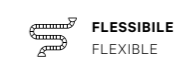
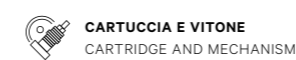
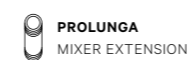
Abbinabile a / To match with:  
Piletta clic-clac / Clic-clac waste - 00079  
Sifone / Siphon - 00067

RICAMBI / SPARE PARTS

9818

09998CR

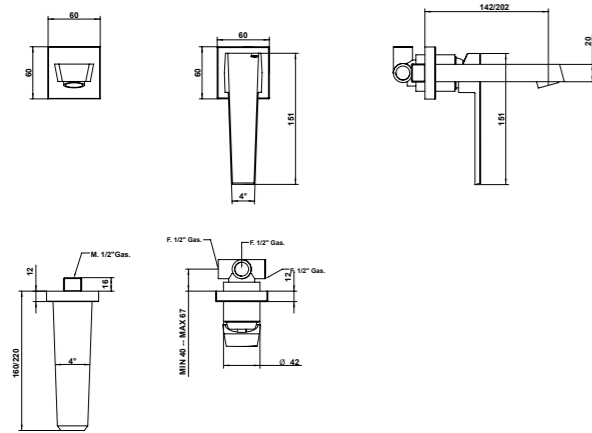
ACCESSORI E RICAMBI / ACCESSORIES AND SPARE PARTS



## 01538/16-22

Miscelatore lavabo incasso con bocca 160 e da 220 mm.

Built in basin mixer with 160 / 220 mms. spout.



## ARTICOLO COMPLETO / COMPLETE ITEM

01538CR16 CR

01538CR22 CR

PARTE INCASSO  
BUILT-IN PARTPARTE ESTERNA DA ABBINARE  
EXTERNAL MATCHING PART

## FINITURE / FINISHES

09761

01538CR16EU  
CR

01538CR22EU  
CR

01538CN16EU  
CN/OR/NM/HM/  
AM

01538CN22EU  
CN/OR/NM/HM/  
AM

Abbinabile a / To match with:  
Piletta clic-clac / Clic-clac waste - 00079  
Sifone / Siphon - 00067

## ACCESSORI / ACCESSORIES

00100CRPRR

## RICAMBI / SPARE PARTS

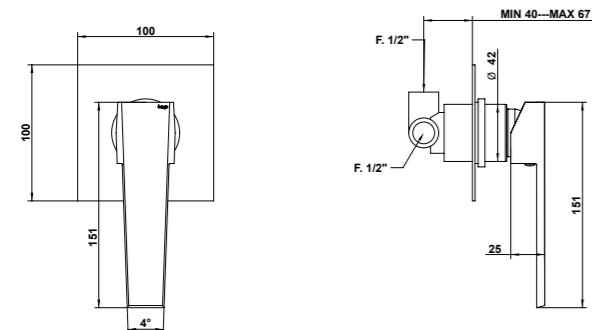
9813

09998CR

## 01524

Miscelatore incasso.

Built in mixer.



## ARTICOLO COMPLETO / COMPLETE ITEM

01524CR00 CR

PARTE INCASSO  
BUILT-IN PARTPARTE ESTERNA DA ABBINARE  
EXTERNAL MATCHING PART

## FINITURE / FINISHES

09761

01524CREU  
CR

01524CNEU  
CN/OR/NM/HM/  
AM

## ACCESSORI / ACCESSORIES

00100CRPRR

OPTIONAL: Scatola incasso per cartongesso / Built-in box for drywall and cavity wall  
09702PBOX

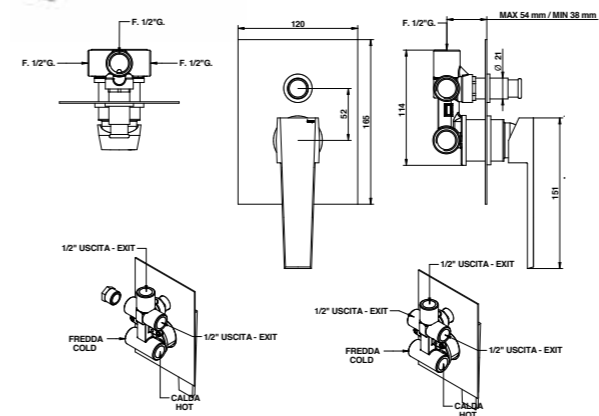
## RICAMBI / SPARE PARTS

9813

## 01529

Miscelatore incasso con deviatore automatico a 2 uscite.

Built in mixer with 2 way automatic diverter.



## ARTICOLO COMPLETO / COMPLETE ITEM

01529CR00 CR

## ACCESSORI / ACCESSORIES

00102CRPRR

OPTIONAL: Scatola incasso per cartongesso / Built-in box for drywall and cavity wall  
09702PBOX

## RICAMBI / SPARE PARTS

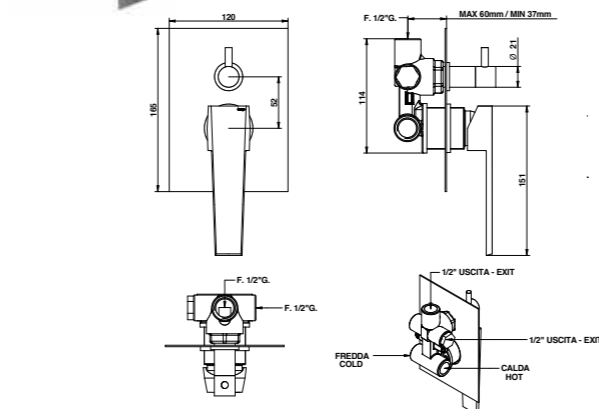
9813

00114CRPR

## 01519

Miscelatore incasso con deviatore meccanico a 2 uscite.

Built-in mixer with 2 way mechanical diverter.



## ARTICOLO COMPLETO / COMPLETE ITEM

01519CR00 CR

PARTE INCASSO  
BUILT-IN PARTPARTE ESTERNA DA ABBINARE  
EXTERNAL MATCHING PART

## FINITURE / FINISHES

09763

01519CREU  
CR

01519CNEU  
CN/OR/NM/HM/  
AM

## ACCESSORI / ACCESSORIES

00102CRPRP3

OPTIONAL: Scatola incasso per cartongesso / Built-in box for drywall and cavity wall  
09702PBOX

## RICAMBI / SPARE PARTS

9813

9861

## FINITURE E COLORI / FINISHES AND COLOURS



## ACCESSORI E RICAMBI / ACCESSORIES AND SPARE PARTS



PROLUNGA  
MIXER EXTENSION



CARTUCCIA E VITONE  
CARTRIDGE AND MECHANISM



AERATORE  
AERATOR



FLESSIBILE  
FLEXIBLE



DOCCETTA  
HANDSHOWER

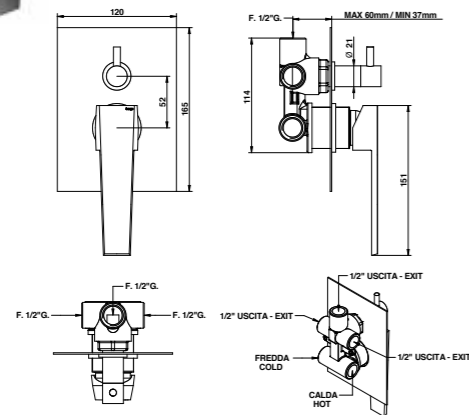


DEVIATORE  
DIVERTER



**01519/3**

Miscelatore incasso con deviatore meccanico a 3 uscite. Built-in mixer with 3 way mechanical diverter



**ARTICOLO COMPLETO / COMPLETE ITEM**

**01519CR03** CR

**PARTE INCASSO** BUILT-IN PART      **PARTE ESTERNA DA ABBINARE** EXTERNAL MATCHING PART

**FINITURE / FINISHES**

**09763/3**      **01519CR03EU** CR  
**01519CN03EU** CN/OR/NM/HM/AM

**ACCESSORI / ACCESSORIES**

**00102CRPRP3**

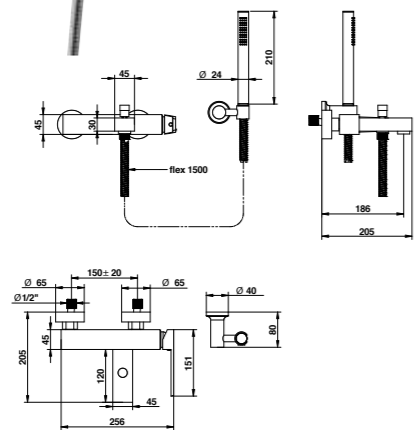
OPTIONAL: Scatola incasso per cartongesso / Built-in box for drywall and cavity wall **09702PBOX**

**RICAMBI / SPARE PARTS**

**9813**      **09860**

**01526/D**

Miscelatore vasca esterno con set doccia. External bath mixer with shower set.



**ARTICOLO COMPLETO / COMPLETE ITEM**

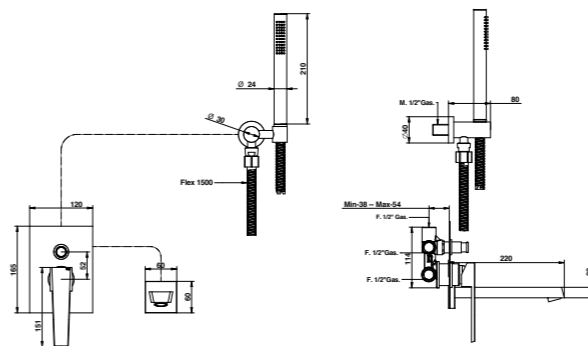
**01526CR0D** CR  
**01526CN0D** CN/OR/NM/HM/AM

**RICAMBI / SPARE PARTS**

**9841**      **09997CR**  
 **09600CR**      **00850CROE**  
 **00115CR00**

**01530/D**

Gruppo vasca incasso bocca 220 mm. e Built in bath and shower mixer with set doccia. 220 mms. spout and duplex shower set.



**ARTICOLO COMPLETO / COMPLETE ITEM**

**01530CR0D** CR  
**01530CN0D** CN/OR/NM/HM/AM

**ACCESSORI / ACCESSORIES**

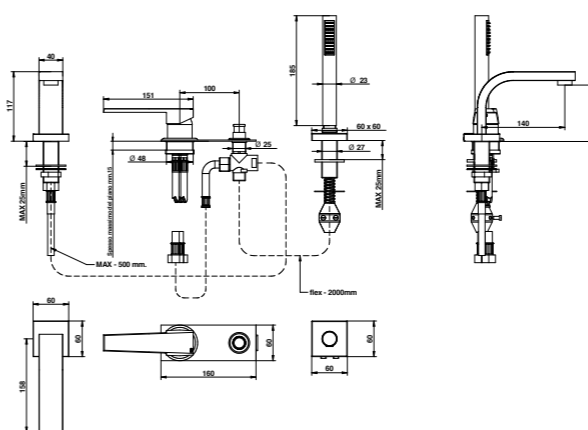
**00102CRPRPR**

**RICAMBI / SPARE PARTS**

**9813**      **09998CR**  
 **09600CR**      **00850CROE**  
 **00114CRPR**

**01531/D**

Gruppo bordo vasca con set doccia. Deck bath mixer with handshower set.



**ARTICOLO COMPLETO / COMPLETE ITEM**

**01531CR0D** CR  
**01531CN0D** CN/OR/NM/HM/AM

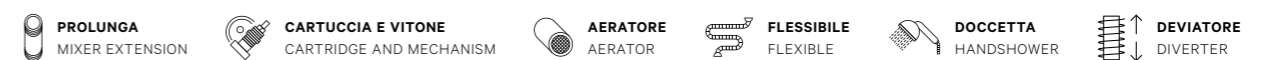
**RICAMBI / SPARE PARTS**

**9813**      **9998CR00**  
 **9606CR**      **00850CROE**  
 **00127CR**

**FINITURE E COLORI / FINISHES AND COLOURS**



**ACCESSORI E RICAMBI / ACCESSORIES AND SPARE PARTS**

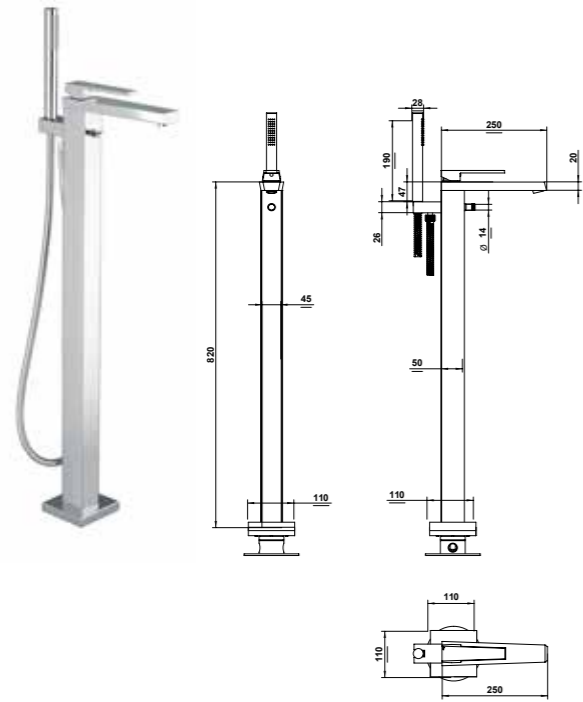


MOODBOARD  
INDEX 316  
STYLE  
BOWLING  
ACQUACARICA  
AQUA  
DOMINO Q  
STELTH  
T CROSS / T LEVER  
ALCOR  
CLASSIC  
ROYALEBO / IMPERO

**01534/D**

Miscelatore vasca da pavimento con set doccia e deviatore.

Floor mounted bath mixer with handshower set and diverter.

**ARTICOLO COMPLETO / COMPLETE ITEM**

**01534CR0D** CR

**PARTE INCASSO**  
BUILT-IN PART**PARTE ESTERNA DA ABBINARE**  
EXTERNAL MATCHING PART**FINITURE / FINISHES**

09744

**01534CR0DEU**  
CR

**01534CN0DEU**  
CN/OR/NM/HM/  
AM

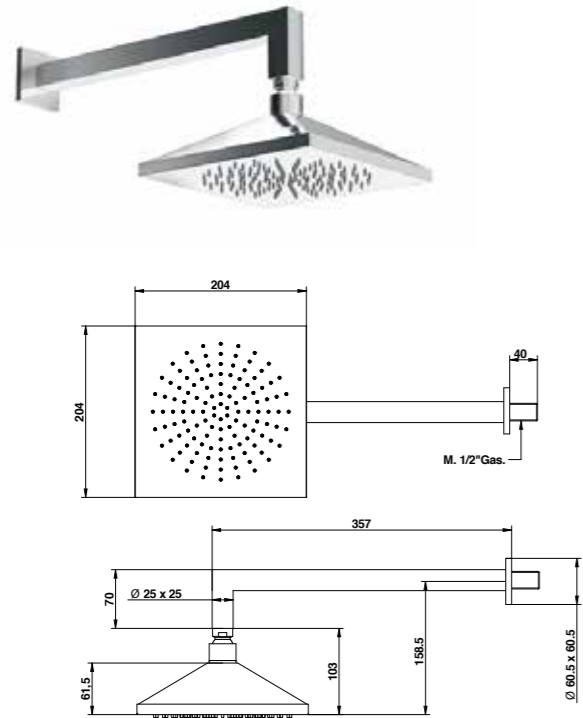
**RICAMBI / SPARE PARTS**

	<b>9813</b>		<b>09998CR</b>
	<b>9600CR</b>		<b>00850CR0E</b>
	<b>00138</b>		

**01881**

Soffione doccia con braccio.

Shower head with arm.

**ARTICOLO COMPLETO / COMPLETE ITEM**

**01881CR00**  
CR

**01881CN00**  
CN/OR/NM/HM/AM

**FINITURE E COLORI / FINISHES AND COLOURS****995/16-22**

Bocca vasca incasso 160/220 mm.

160/220 mms. built-in spout.

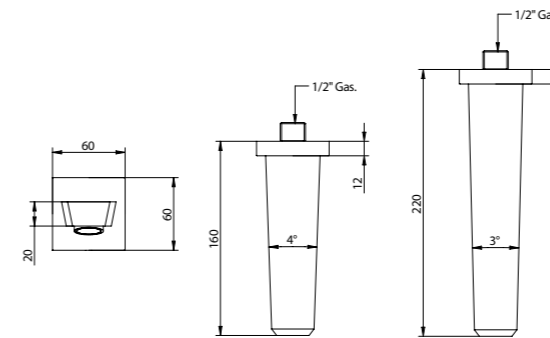
**ARTICOLO COMPLETO / COMPLETE ITEM**

**00995CR16**  
CR

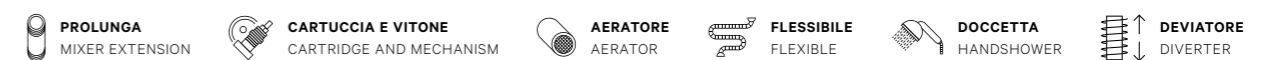
**00995CR22**  
CR

**00995CN16**  
CN/OR/NM/HM/AM

**00995CN22**  
CN/OR/NM/HM/AM

**RICAMBI / SPARE PARTS**

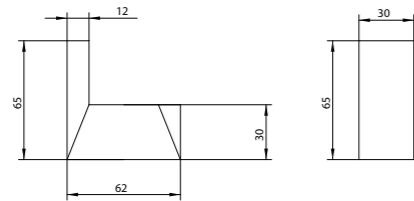
**9998CR**

**ACCESSORI E RICAMBI / ACCESSORIES AND SPARE PARTS**

01001

Porta abito.

Robe hook.



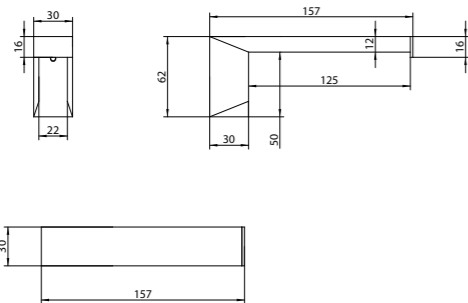
ARTICOLO COMPLETO / COMPLETE ITEM

01001CR00  
CR01001CN00  
CN/OR01001NM00  
NM/HM/AM

01009

Porta rotolo.

Toilet paper holder.



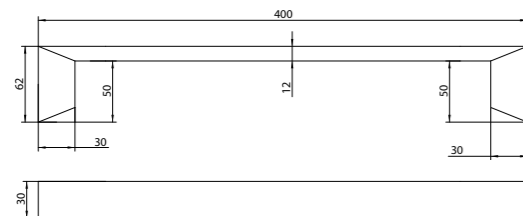
ARTICOLO COMPLETO / COMPLETE ITEM

01009CR00  
CR01009CN00  
CN/OR01009NM00  
NM/HM/AM

01007/40-60

Porta asciugamano 400/600 mm.

400/600 mms. towel rail.



ARTICOLO COMPLETO / COMPLETE ITEM

01007CR40  
CR01007CR60  
CR01007CN40  
CN/OR01007NM40  
NM/HM/AM01007CN60  
CN/OR01007NM60  
NM/HM/AM

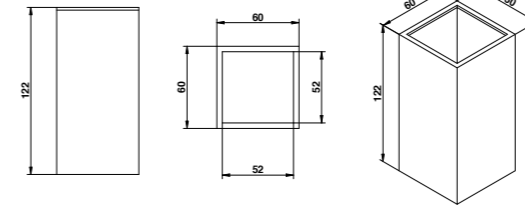
FINITURE E COLORI / FINISHES AND COLOURS



43022/DA

Bicchieri da appoggio.

Glass to lean.



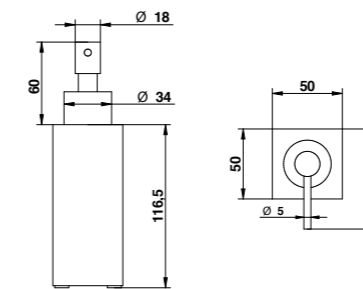
ARTICOLO COMPLETO / COMPLETE ITEM

43022CRDAPR  
CR43022ORDAPR  
OR/NM/CN/HM/AM

43027/DA

Dispenser da appoggio.

Soap dispenser to lean.D



ARTICOLO COMPLETO / COMPLETE ITEM

43027CRDAPR  
CR43027ORDAPR  
OR/NM/CN/HM/AM

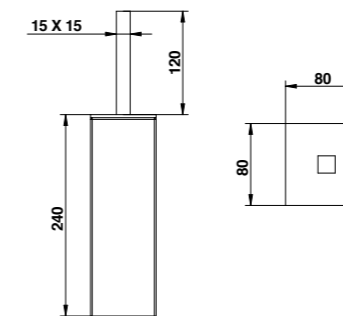
RICAMBI / SPARE PARTS

43698CR

43025

Porta scopino da appoggio.

Toilet brush holder to lean.



ARTICOLO COMPLETO / COMPLETE ITEM

43025CRDA  
CR43025CNDA  
CN/OR/NM/HM/AM

RICAMBI / SPARE PARTS

43720PR

ACCESSORI E RICAMBI / ACCESSORIES AND SPARE PARTS

